

LED OR HALOGEN TASK & EXAMINATION LIGHT

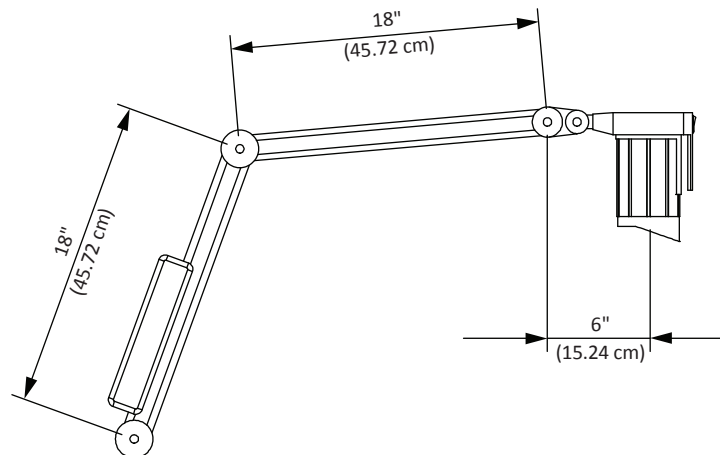
The Super Exam 50[®] is the best combination of color temperature, CRI and drift-free positioning of any high-intensity task and examination light in the market – all on a highly positionable K-arm.

Higher illumination in a precisely controlled beam is just the beginning. Delivering value through longer life, lower energy consumption and versatility is where the Super Exam 50 really shines.

The Super Exam 50 is available in two options: The Super Exam 50 LED and the Super Exam 50 Halogen. Both options consist of a uniquely engineered optical system that delivers a precisely controlled beam of white light, which is so important for an accurate examination whether your practice is obstetrics, gynecology, dermatology or emergency medicine.

K-Arm Technology

Medical products are used in a dynamic environment and need a great level of flexibility. Friction-based arms with tightening screws make movement a problem – if you loosen a friction screw too much, the arm will collapse. That's why the Super Exam 50 uses a unique, self-balancing K-arm. No other arm in the market offers this kind of extensive 42" (107 cm) reach. Internal springs ensure smooth, easy positioning and the arm will stay in the right position without drifting.



SUPER EXAM 50 (LED)

Features

- High-intensity of 39,000 lux (3623 fc) at 24" (61 cm)
- 4000 K color temperature
- CRI (Color Rendering Index) of 92
- Natural white light
- LED light module with 40,000-hour life
- Universal input voltage
- Drift-free K-arm with 42" (107 cm) arm range
- CE marked
- Light mounts to headwall by using an MSC Vertical Track Adaptor or Provider™ Channel Adaptor

Ordering Information

SE50LW Super Exam 50 LED light with 1/2" mounting post. Will require one MSC 511-1000 Vertical Track Adaptor or 511-1009 Provider™ Channel Adaptor.

| Super Exam 50 LED technical data | |
|----------------------------------|---|
| Illuminance: | 39,000 lux (3623 fc) at 24" (61 cm) |
| Color temperature: | 4000 K |
| CRI (Color Rendering Index): | 92 |
| Light sources: | Light Emitting Diode (LED) |
| Rated life of LEDs: | 40,000 hours |
| Power: | 16 Watts |
| Power supply: | Universal input voltage |
| Applications: | Obstetrics, Gynecology, Dermatology, Emergency Medicine |
| Certifications/approvals: | IEC 60601-1/60601-2-41 certified; CE marked |

NOTE: The optical data are nominal values based on measurements calculated according to UL/IEC performance standards at 120V

SUPER EXAM 50 (HALOGEN)

Features

- High-intensity of 45,750 lux (4250 fc) at 24" (61 cm)
- 3800 K color temperature
- CRI (Color Rendering Index) of 99
- Crisp white light
- Drift-free K-arm with 42" (107 cm) arm range
- CE marked
- Light mounts to headwall by using an MSC Vertical Track Adaptor or Provider™ Channel Adaptor

Ordering Information

SE50W Super Exam 50 halogen light with 1/2" mounting post. Will require one MSC 511-1000 Vertical Track Adaptor or 511-1009 Provider™ Channel Adaptor.

| Super Exam 50 Halogen technical data | |
|--------------------------------------|---|
| Illuminance: | 45,750 lux (4250 fc) at 24" (61 cm) |
| Color temperature: | 3800 K |
| CRI (Color Rendering Index): | 99 |
| Type of bulb: | 50W MR-16 bulb with 4000-hour life |
| Power requirements: | 12V model standard; 230V/240V model available |
| Certifications/approvals: | IEC 60601-1/60601-2-41 certified; CE marked |

NOTE: The optical data are nominal values based on measurements calculated according to UL/IEC performance standards at 120V



500 E. Britton Rd. • Oklahoma City, OK 73114
Tel: 800.687.0938 • Fax: 405.528.0368
www.modularservices.com
info@modularservices.com